

HFMED® HFMPB06B

Gynecological And Obstetric Table

HFMPB06B is hydraulic operating table
for gynaecology and obstetrics.
with full affinity profile. Any colors are
available for the mattress,
made of full 304 stainless steel.



HFMED ACCESSORIES

- 2 Arm Support
- 2 Foot Support
- 1 Dirt pots



YOUR IDEAL OPERATING TABLE SUPPLIER

HFMED®

YOUR IDEAL OPERATING TABLE SUPPLIER
SHANGHAI HUIFENG MEDICAL INSTRUMENT CO., LTD.
Address: NO.885, Qluxing Road, Nicheng Town, Pudong New Area, Shanghai, China.
Tel: +86-021-58064992
Mob: +86-13918165133
Email: lisa@huifeng-co.com
web: <http://en.huifeng-co.com>



Official QR code

HFMED® CE

HFMED

YOUR IDEAL OPERATING TABLE SUPPLIER
MEET THE VARIOUS REQUIREMENTS OF GENERAL SURGERY

HFMPB06B

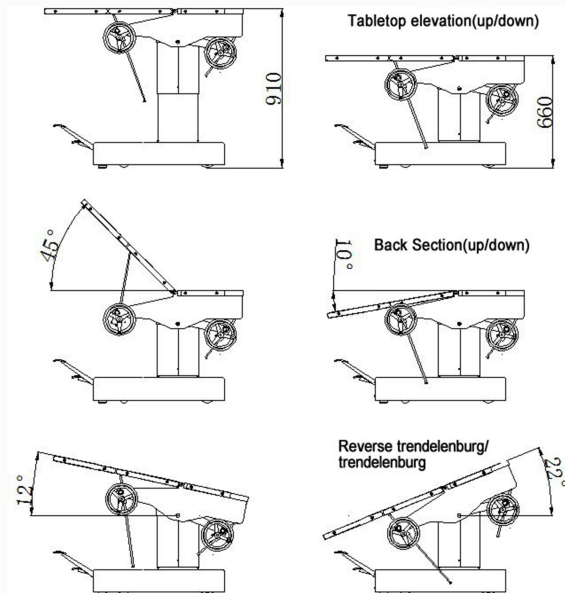


SHANGHAI HUIFENG MEDICAL INSTRUMENT CO.,LTD



HFMPB06B

HFMPB06B
operation position sketch



Main Technical Data

HFMPB06B <small>Gynecological And Obstetric Table</small>	
Tabletop Length	1740mm
Tabletop Width	590mm
Elevation (down/up)	620/900mm
Trendelenburg/Reverse trendelenburg	≥8°/≥20°
Back Plate (up/down)	45°/10°

